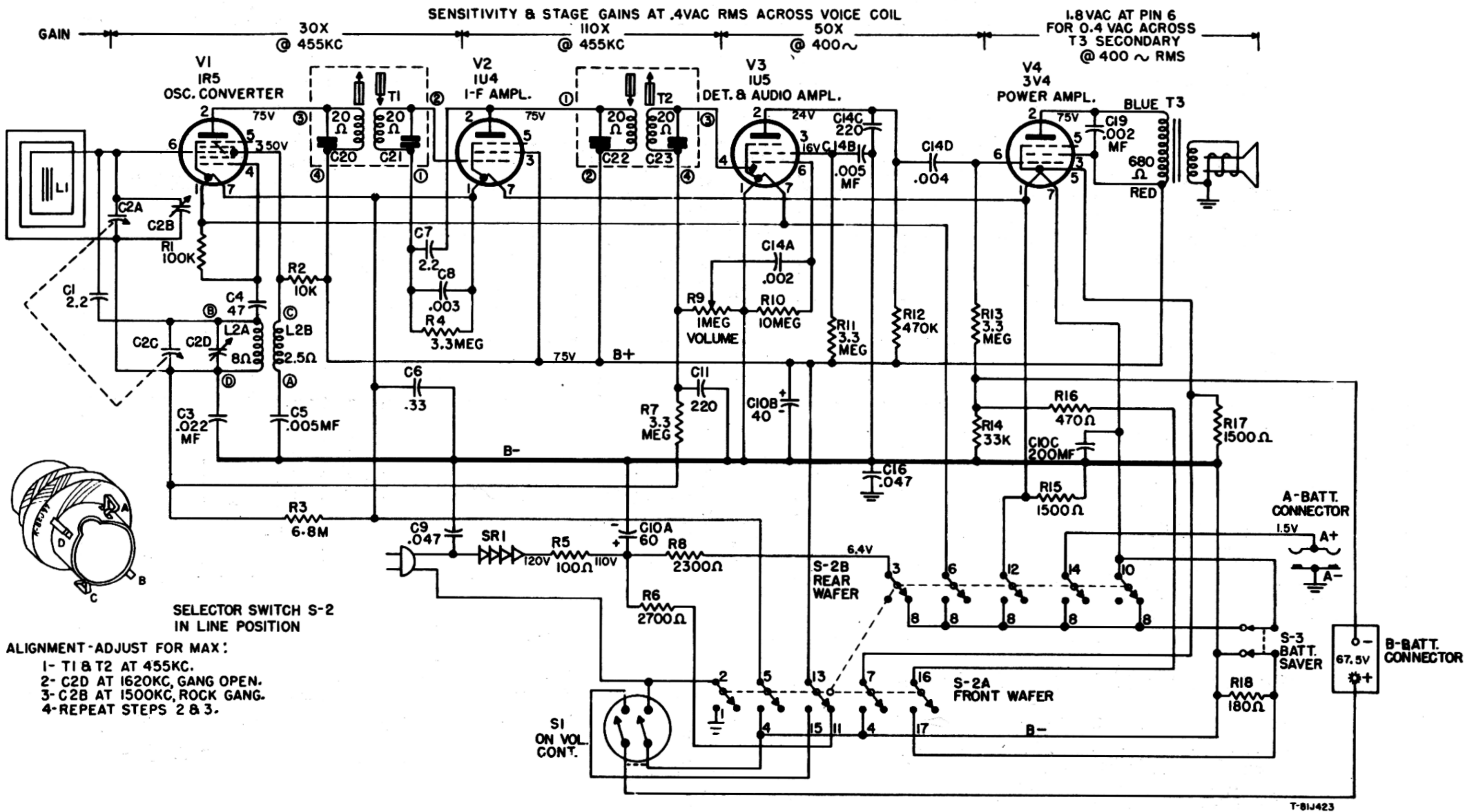


GE Sample Schematic



SELECTOR SWITCH S-2
IN LINE POSITION

ALIGNMENT-ADJUST FOR MAX:
1- T1 & T2 AT 455KC.
2- C2D AT 1620KC, GANG OPEN.
3- C2B AT 1500KC, ROCK GANG.
4- REPEAT STEPS 2 & 3.

CAT. NO.	SYMBOL	DESCRIPTION	CAT. NO.	SYMBOL	DESCRIPTION
CAPACITORS			MISCELLANEOUS MECHANICAL (CONT'D)		
*RCC-123	C3	.002 mf., 20%, 200 v., paper	*RHC-053		CLIP—I-F transformer mounting
RCC-125	C16	.047 mf., 400 v., paper	*RHI-017		STRAIN RELIEF—Two-piece strain relief and insulator, for power cord entrance in chassis.
*RCE-151	C10A, B, C	60-40-200 mf., electrolytic	*RHM-025		"C" WASHER—Retainer ring for control shafts
*RCN-039	C1, 7	2.2 mmf., 20%, 500 v., ceramic	*RHM-073		CLIP—Dial cord pulley retainer on tuning capacitor drum
*RCN-053	C9	.047 mf., 20%, 600 v., molded	*RMC-002		CLIP—Oscillator coil mounting
*RCN-070	C6	.33 mf., 100 v., paper	RMC-061		LOOP SUPPORT—Plastic clamp
RCT-077	C2A, B, C	Tuning capacitor	*RMS-243		SPRING—Dial cord tension, on tuning pulley
*RCW-3014	C5	.005 mf., +150% -0%, 450 v., cer.	*RMS-272		COMPRESSION RING—Dial tuning knob spring
*RCW-3018	C19	.002 mf., -0% +100%, 450 v., cer.	*RMW-076		PULLEY—Drive cord pulley on tuning capacitor
*RCW-3075	C4	47 mmf., disk ceramic	RMX-270		PULLEY AND HUB ASSEMBLY—On dial tuning shaft RMX-271.
*RCW-3089	C14A, B, C	Bulkplate—.002 mf., .005 mf., 200 mf., .004 mf.	RMX-271		SHAFT AND PULLEY ASSEMBLY—Dial tuning
*RCW-3118	C8	.003 mf., 20%, 100 v., ceramic	RMX-272		"A" BATTERY HOLDER
RCW-3126	C11	220 mmf., ceramic			
POTENTIOMETER & RESISTORS			CABINETS AND APPEARANCE ITEMS		
*RRC-253	R9, S1	Volume Control and Switch	RAD-139		HANDLE BRACKET—Right-hand
*RRW-042	R8	2300 ohms, ±10%, 10 w., w.w.	RAD-140		HANDLE BRACKET—Left-hand
*URD-031	R18	180 ohms, ±10%, 1/2 w., carbon	RAG-068		GRILLE CLOTH ASSEMBLY—For Model 630.
*URD-041	R16	470 ohms, ±10%, 1/2 w., carbon	RAG-069		GRILLE CLOTH ASSEMBLY—For Model 631.
*URD-053	R15, 17	1500 ohms, ±10%, 1/2 w., carbon	RAG-070		GRILLE CLOTH ASSEMBLY—For Model 632.
*URD-073	R2	10 k., ±10%, 1/2 w., carbon	RAU-407		CABINET ASSEMBLY—Green, Model 630.
*URD-085	R14	33 k., ±10%, 1/2 w., carbon	RAU-408		CABINET ASSEMBLY—Red, Model 631.
*URD-097	R1	100 k., ±10%, 1/2 w., carbon	RAU-409		CABINET ASSEMBLY—Gray, Model 632.
*URD-113	R12	470 k., ±10%, 1/2 w., carbon	RDG-009		DIAL PLATE—Aluminum, with red indicator
*URD-133	R4, 7, 11, 13	3.3 megohms, ±10%, 1/2 w., carbon	*RDK-387		KNOB—Volume, gray, f. Model 632
*URD-141	R3	6.8 megohms, ±10%, 1/2 w., carbon	RDK-397		KNOB—Tuning, gray, with dial scale, Model 632
*URD-145	R10	10 megohms, ±10%, 1/2 w., carbon	RDK-398		KNOB—Tuning, green, with dial scale, Model 630.
*URE-059	R6	2700 ohms, ±10%, 1 w., carbon	RDK-399		KNOB—Tuning, red, with dial scale, Model 631.
*URF-025	R5	100 ohms, ±10%, 2 w., carbon	RDK-400		KNOB—Volume, green, f. Model 630.
COILS AND TRANSFORMERS			RDK-401		KNOB—Volume, red, f. Model 631.
*RLC-101	L2	COIL—Oscillator	RHB-023		HANDLE CAP BUTTON
RLL-059	L1	ANTENNA ASSEMBLY—Iron core	*RHE-013		EYELET—For mounting cabinet hinges
RTL-156	T1, 2	TRANSFORMER—I-F	*RHE-018		EYELET—For mounting cabinet catch
*RTO-133	T3	TRANSFORMER—Output	*RHI-027		HINGE—Solid hinge
MISCELLANEOUS ELECTRICAL			*RHS-083		SCREW—Phillips round head, No. 4 x 1/4-in., for mounting catch clip RMC-053
RER-001	SR1	SELENIUM RECTIFIER	RHY-057		HANDLE—Green, for Model 630
*RII-060		INSULATING STRIP—Fiber, for tuning capacitor mounting	RHY-058		HANDLE—Red, for Model 631
RJC-036		BATTERY CONNECTOR—"B" battery	RHY-059		HANDLE—Gray, for Model 632
*RJS-100		TUBE SOCKET—for V1	*RMC-053		CLIP—Cabinet catch
*RJS-124		TUBE SOCKET—for V3 or V4	RYN-025		EMBLEM—For Model 631
*RJS-125		TUBE SOCKET—for V2	RYN-026		EMBLEM—For Models 630 and 632
*S400-D7		LOUDSPEAKER—4-inch PM			
*RSS-008	S3	SWITCH—Battery saver switch			
RSS-008	S2A, B	SWITCH—AC-DC-Battery			
*RSL-005		POWER CORD—6 ft. long, black, with plug			
MISCELLANEOUS MECHANICAL					
*RDC-032		DIAL CORD—Bulk quantity, 25 yards			
*RHB-016		SNAP FASTENER—Chassis cover mounting stud			

* Parts used on previous receivers.